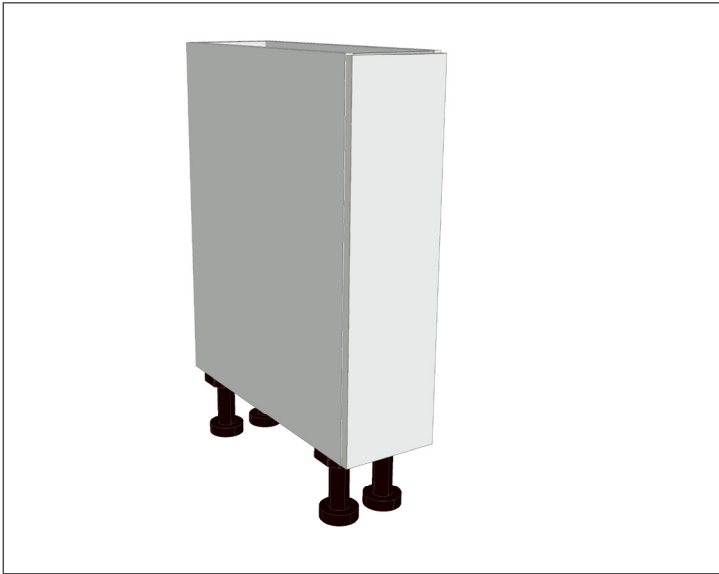


SPECIFICATION SHEET

1 Door RH Hinge Base Cabinet

Code: MK201R-CHN



Features

- 1 Door Base Cabinet, Right Hinge
- Cabinet Designed for Handle
- Adjustable Shelf
- Laminate Woodgrain & Solid Colours on MR Board
- **Default Dimensions** (as pictured):
W200 x H880 x D590

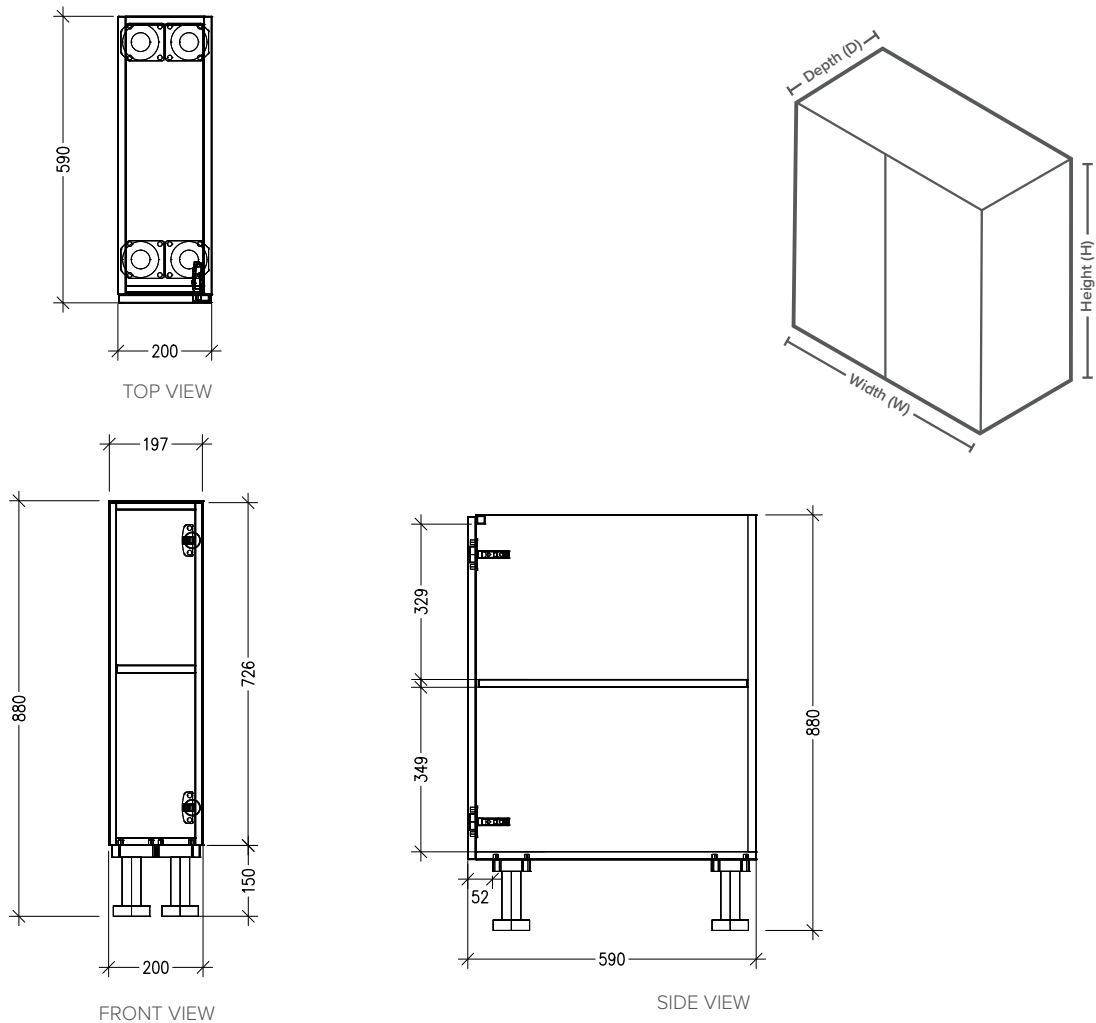
Variable Dimensions:

Width: 200-449mm
Depth: 520-650mm

Note: For measurements outside the variable dimensions, please contact us.

Technical Details

Note: All measurements shown are in millimetres. Sizes are nominal.



Head Office: 30 Mill Road, Whanganui
0800 122 522 | sales@smartcab.co.nz
www.smartcab.co.nz