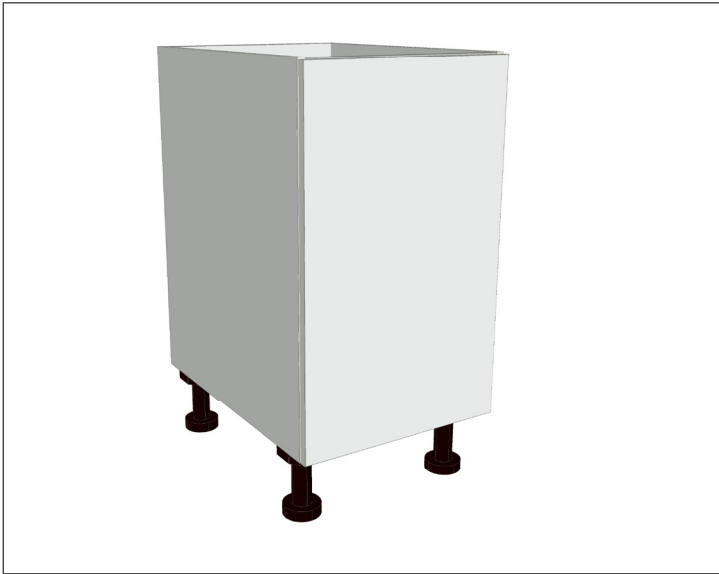


# SPECIFICATION SHEET

## 1 Door LH Hinge Base Cabinet

Code: MK104L-CHN



### Features

- 1 Door Base Cabinet, Left Hinge
- Cabinet Designed for Handle
- Adjustable Shelf
- Laminate Woodgrain & Solid Colours on MR Board

- **Default Dimensions** (as pictured):  
W450 x H880 x D590

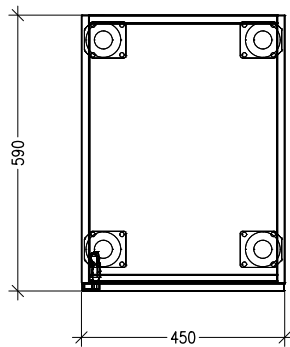
### Variable Dimensions:

Width: 450-599mm  
Depth: 520-650mm

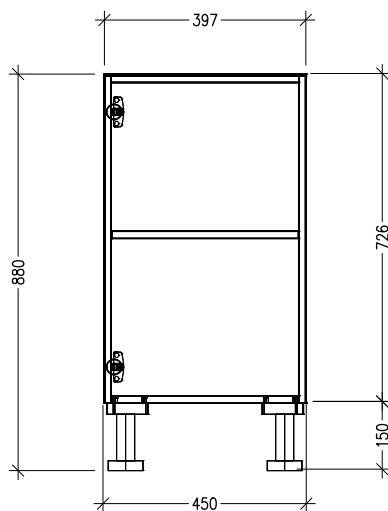
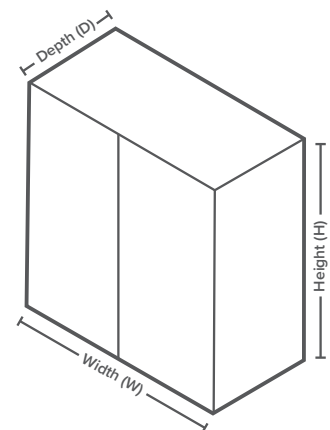
*Note: For measurements outside the variable dimensions, please contact us.*

### Technical Details

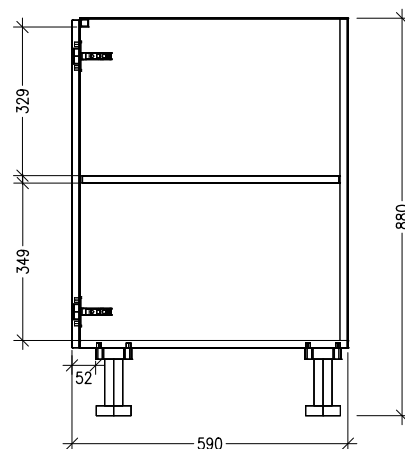
Note: All measurements shown are in millimetres. Sizes are nominal.



TOP VIEW



FRONT VIEW



SIDE VIEW



Head Office: 30 Mill Road, Whanganui  
0800 122 522 | sales@smartcab.co.nz  
[www.smartcab.co.nz](http://www.smartcab.co.nz)