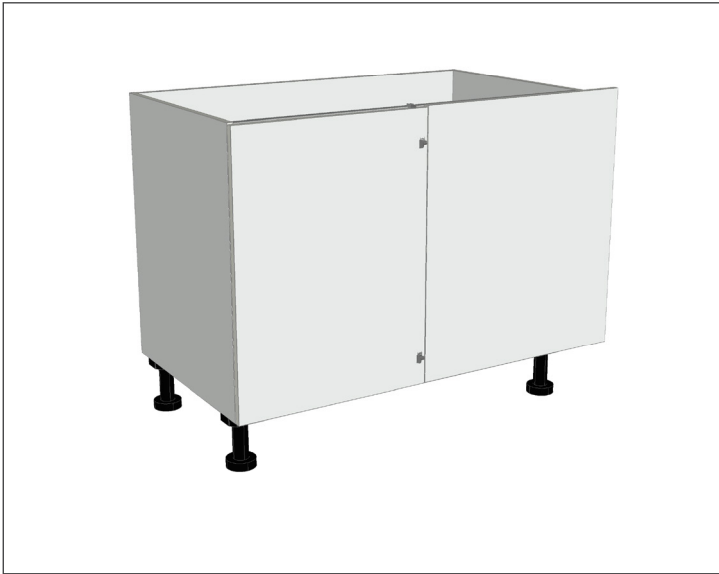


SPECIFICATION SHEET

1 Door Left Hand Blind Corner Base Cabinet Code: MK122L-CHN



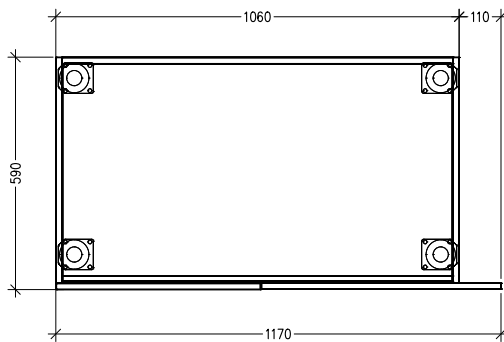
Features

- 1 Door LH Blind Corner Base Cabinet
- Cabinet Designed for Handle
- Adjustable Shelf
- Laminate Woodgrain & Solid Colours on MR Board
- **Default Dimensions** (as pictured):
W1060 x H880 x D590
- **Variable Dimensions:**
Width: 1060-1200mm
Depth: 520-650mm

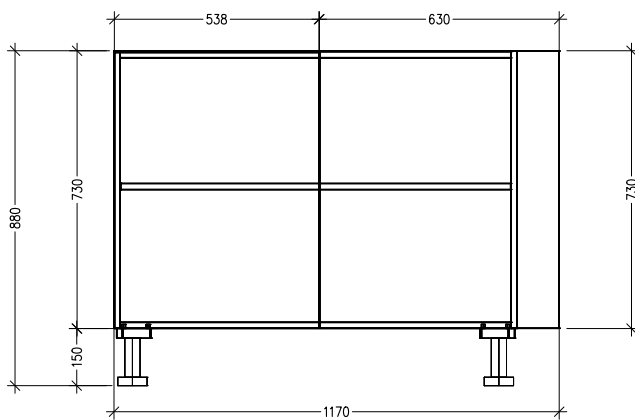
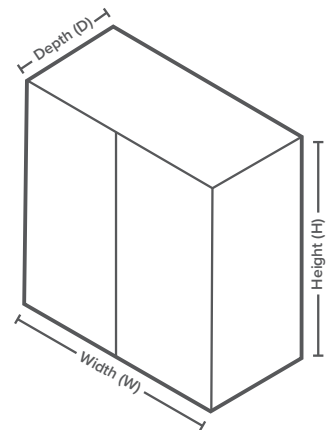
Note: For measurements outside the variable dimensions, please contact us.

Technical Details

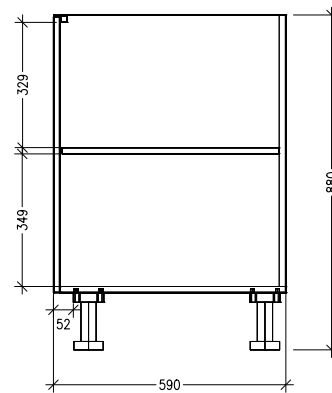
Note: All measurements shown are in millimetres. Sizes are nominal.



TOP VIEW



FRONT VIEW



SIDE VIEW



Head Office: 30 Mill Road, Whanganui
0800 122 522 | sales@smartcab.co.nz
www.smartcab.co.nz