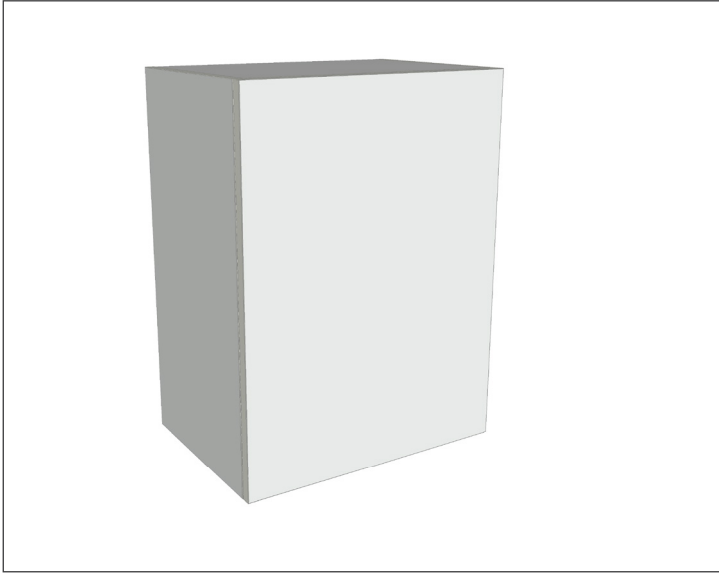


SPECIFICATION SHEET

1 Door LH Hinge Wall Cabinet

Code: MK238L



Features

- 1 Door LH Hinge Wall Cabinet
- Cabinet Designed for Handle
- 3 Adjustable Shelves
- Laminate Woodgrain & Solid Colours on MR Board
- **Default Dimensions** (as pictured):
W450 x H600 x D316

Variable Dimensions:

Width: 450-1000mm

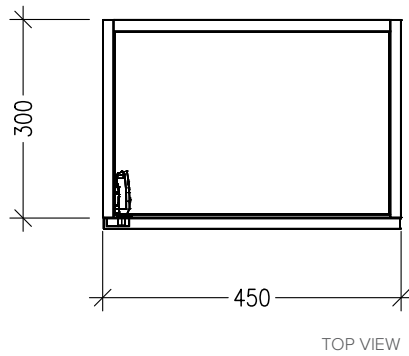
Height: 400-1000mm

Depth: 250-450mm

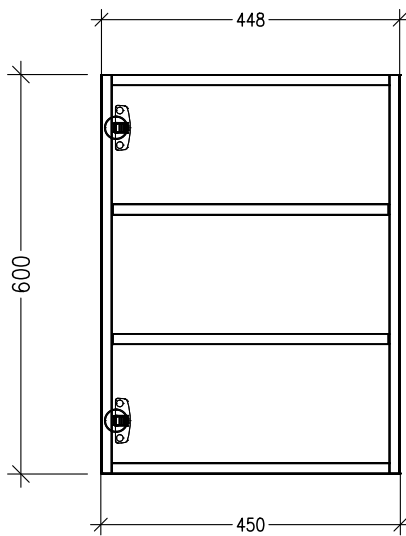
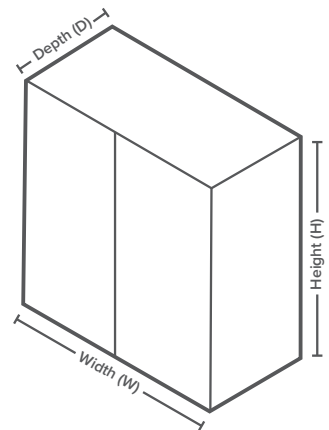
Note: For measurements outside the variable dimensions, please contact us.

Technical Details

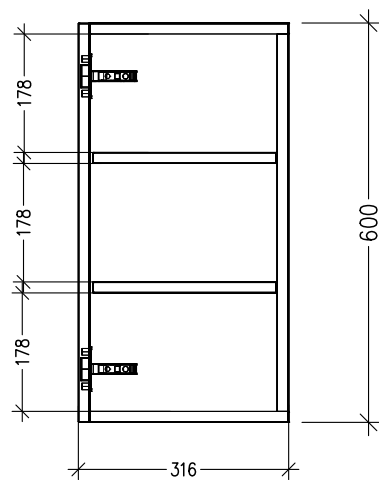
Note: All measurements shown are in millimetres. Sizes are nominal.



TOP VIEW



FRONT VIEW



SIDE VIEW



Head Office: 30 Mill Road, Whanganui
0800 122 522 | sales@smartcab.co.nz
www.smartcab.co.nz