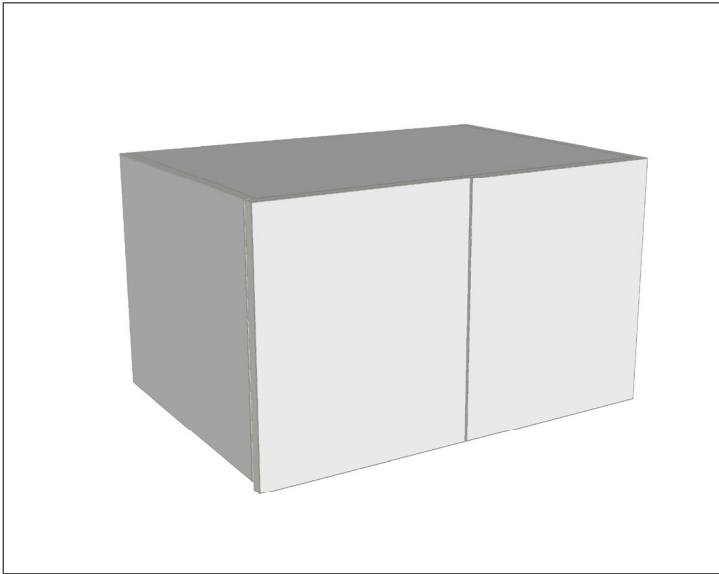


SPECIFICATION SHEET

2-Door Over Fridge Cabinet with Finger Pull

Code: MK244



Features

- 2-Door Over Fridge Cabinet with Finger Pull
- Laminate Woodgrain & Solid Colours on MR Board
- **Default Dimensions (as pictured):**
W600 x H350 x D420

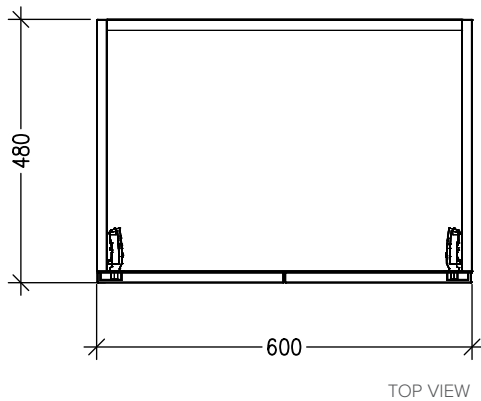
Variable Dimensions:

Width: 600-1200mm
Height: 350-600mm
Depth: 420-480mm

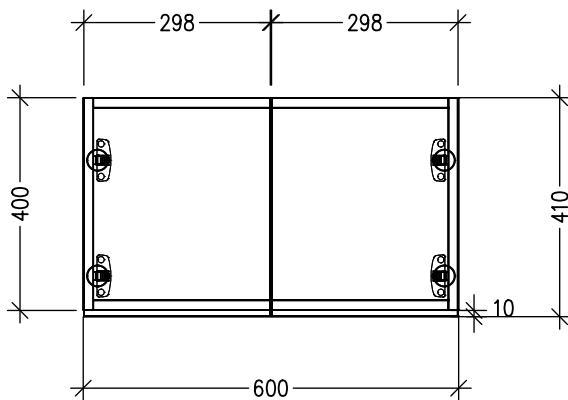
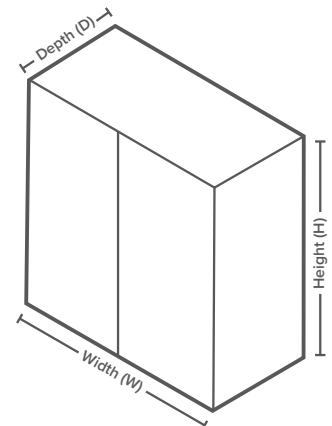
Note: For measurements outside the variable dimensions, please contact us.

Technical Details

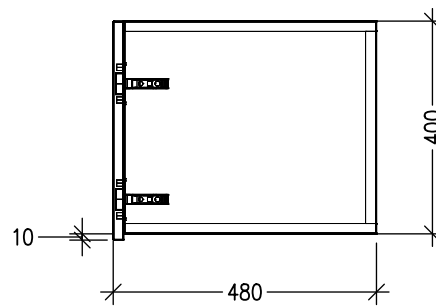
Note: All measurements shown are in millimetres. Sizes are nominal.



TOP VIEW



FRONT VIEW



SIDE VIEW



Head Office: 30 Mill Road, Whanganui
0800 122 522 | sales@smartcab.co.nz
www.smartcab.co.nz