

SPECIFICATION SHEET

3 Drawer Base Cabinet

Code: MK110-CHN



Features

- 3 Drawer Base Cabinet
- Cabinet Designed for Handles
- Laminate Woodgrain & Solid Colours on MR Board
- **Default Dimensions** (as pictured):
W400 x H880 x D590

Variable Dimensions:

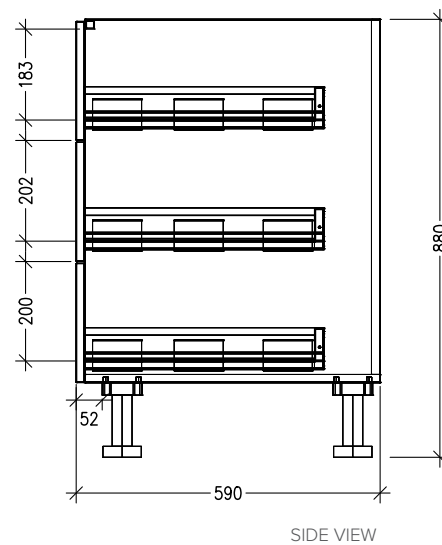
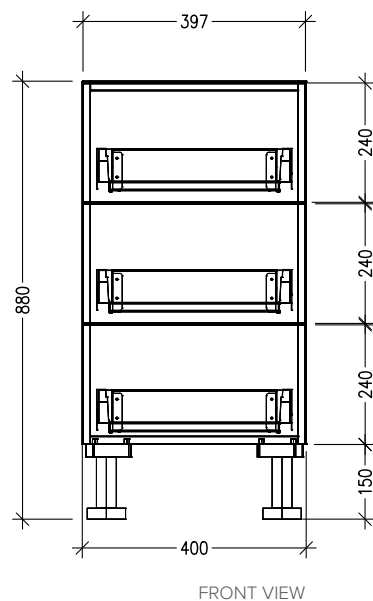
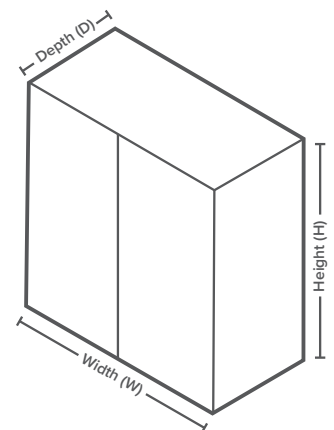
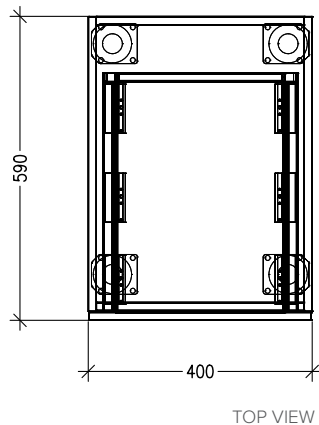
Width: 400-599mm

Depth: 520-650mm

Note: For measurements outside the variable dimensions, please contact us.

Technical Details

Note: All measurements shown are in millimetres. Sizes are nominal.



Head Office: 30 Mill Road, Whanganui
0800 122 522 | sales@smartcab.co.nz
www.smartcab.co.nz