

SPECIFICATION SHEET

3 Drawer Base Cabinet (2 Cutlery, 1 Drawer) with Inlay Rails

Code: MK114-CIR



Features

- 3 Drawer Base Cabinet
- 2 Cutlery Drawers, 1 Large Drawer
- Cabinet with Inlay Rails
- Laminate Woodgrain & Solid Colours on MR Board
- **Default Dimensions** (as pictured):
W400 x H880 x D590

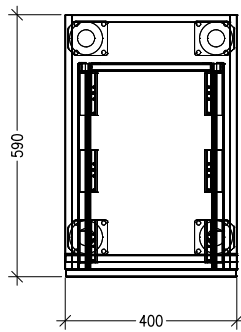
Variable Dimensions:

Width: 400-599mm
Depth: 520-650mm

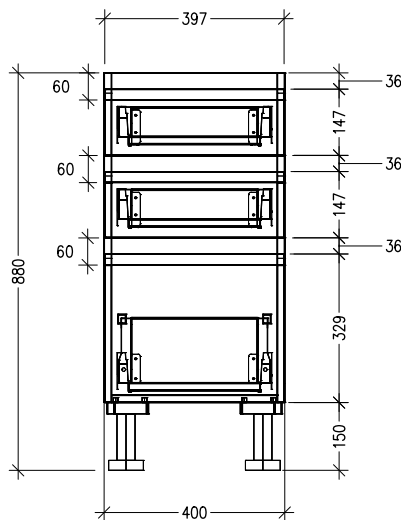
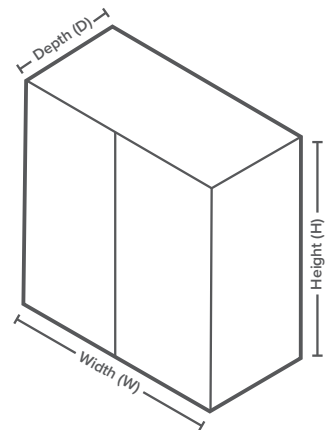
Note: For measurements outside the variable dimensions, please contact us.

Technical Details

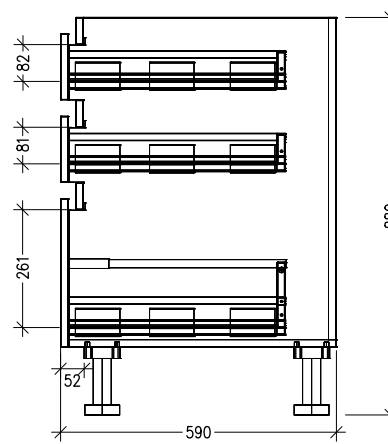
Note: All measurements shown are in millimetres. Sizes are nominal.



TOP VIEW



FRONT VIEW



SIDE VIEW



Head Office: 30 Mill Road, Whanganui
0800 122 522 | sales@smartcab.co.nz
www.smartcab.co.nz