

# SPECIFICATION SHEET

## 3 Drawer Base Cabinet (2 Cutlery, 1 Drawer) with Inlay Rails

Code: MK228-CIR



### Features

- 3 Drawer Base Cabinet
- 2 Cutlery Drawers, 1 Large Drawer
- Cabinet with Inlay Rails
- Laminate Woodgrain & Solid Colours on MR Board
- **Default Dimensions** (as pictured):  
W600 x H880 x D590

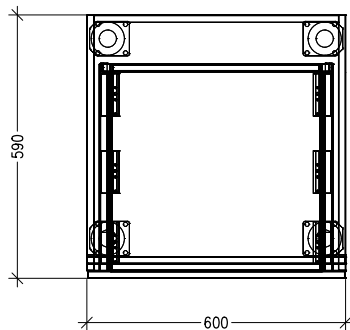
### Variable Dimensions:

Width: 600-900mm  
Depth: 520-650mm

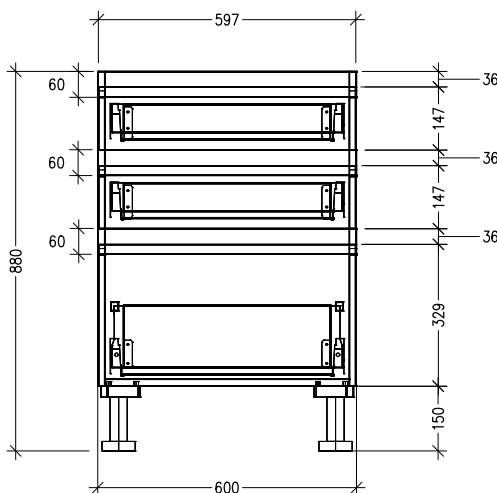
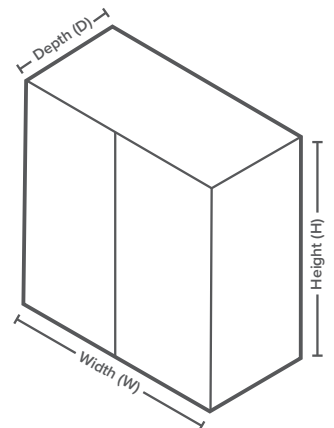
*Note: For measurements outside the variable dimensions, please contact us.*

### Technical Details

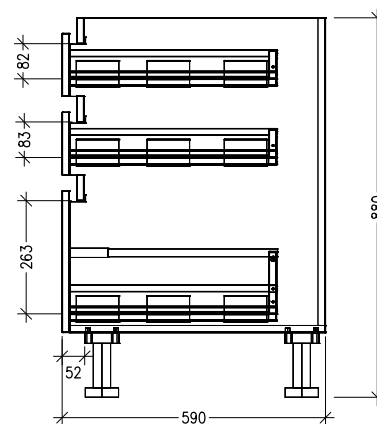
Note: All measurements shown are in millimetres. Sizes are nominal.



TOP VIEW



FRONT VIEW



SIDE VIEW



Head Office: 30 Mill Road, Whanganui  
0800 122 522 | sales@smartcab.co.nz  
[www.smartcab.co.nz](http://www.smartcab.co.nz)