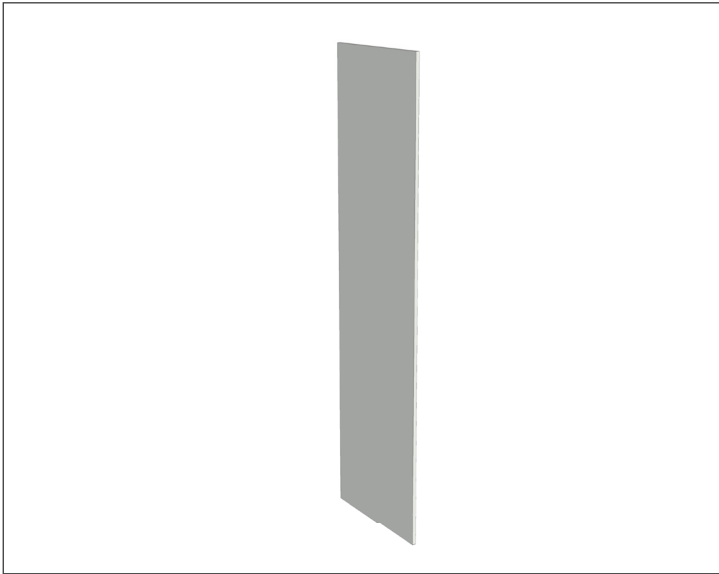


SPECIFICATION SHEET

Fridge End Panel

Code: MK242



Features

- Fridge End Panel
- Clashed (Edged Taped) Edges
- Laminate Woodgrain & Solid Colours on MR Board
- **Default Dimensions** (as pictured):
W16 x H2100 x D600

Variable Dimensions:

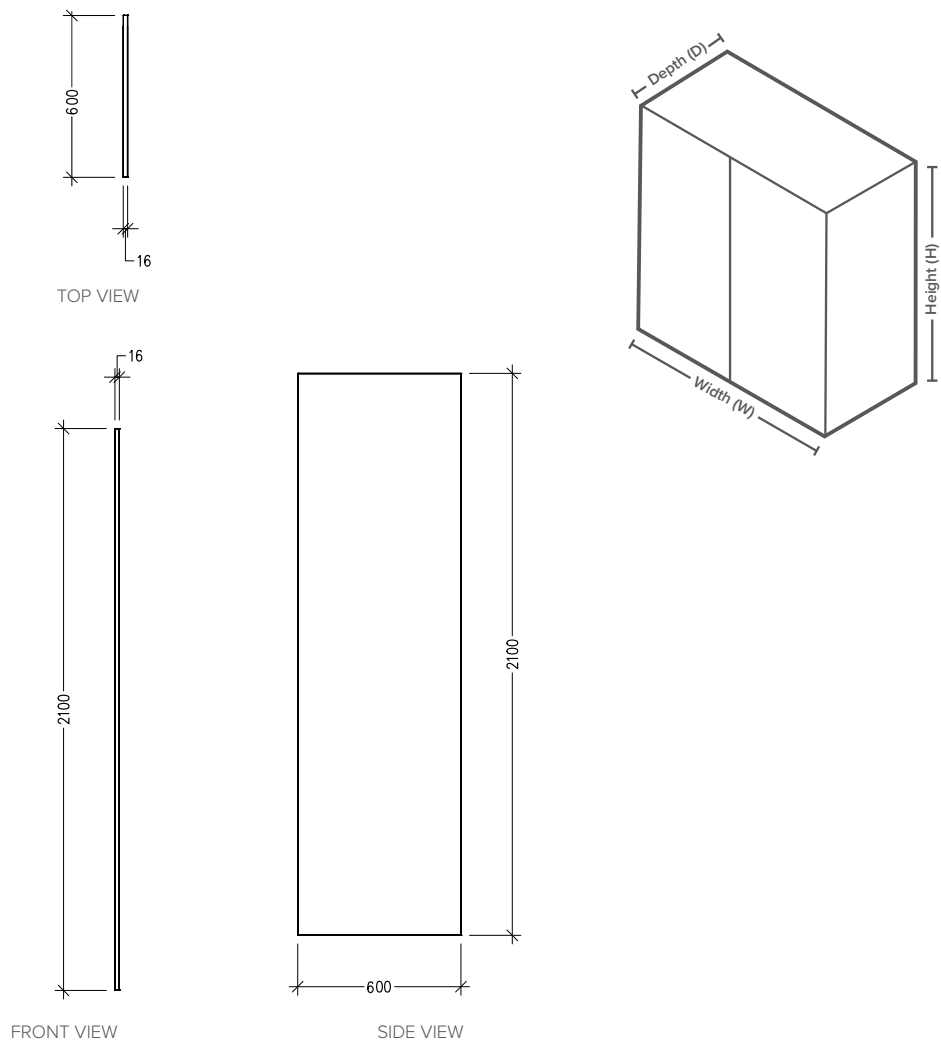
Height: 1800-2400mm

Depth: 530-760mm

Note: For measurements outside the variable dimensions, please contact us.

Technical Details

Note: All measurements shown are in millimetres. Sizes are nominal.



Head Office: 30 Mill Road, Whanganui
0800 122 522 | sales@smartcab.co.nz
www.smartcab.co.nz