

SPECIFICATION SHEET

Open Shelf Base Cabinet

Code: MK126



Features

- Open Shelf Base Cabinet
- Adjustable Shelf
- Laminate Woodgrain & Solid Colours on MR Board
- **Default Dimensions** (as pictured):
W250 x H880 x D590

Variable Dimensions:

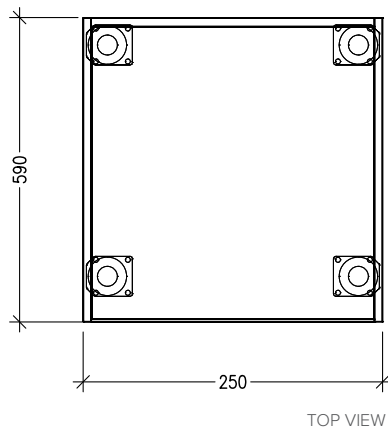
Width: 250-599mm

Depth: 520-650mm

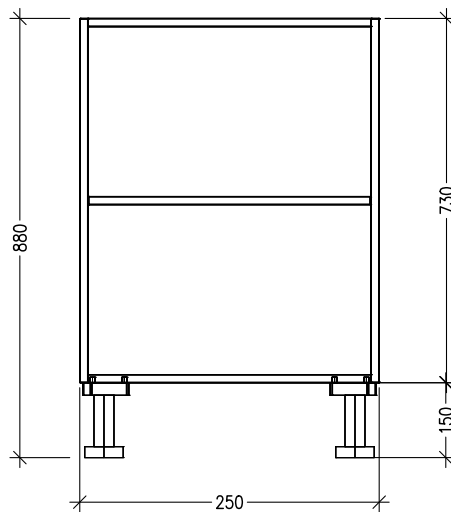
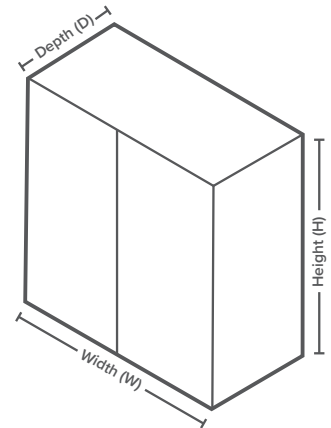
Note: For measurements outside the variable dimensions, please contact us.

Technical Details

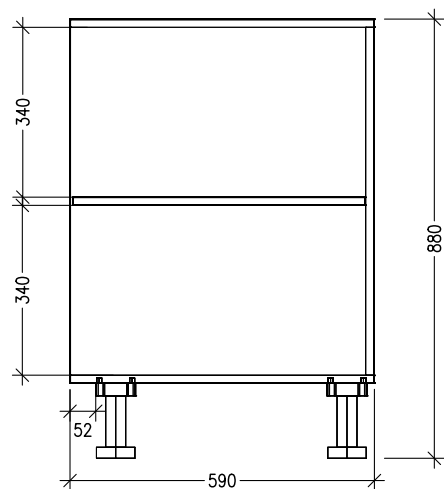
Note: All measurements shown are in millimetres. Sizes are nominal.



TOP VIEW



FRONT VIEW



SIDE VIEW



Head Office: 30 Mill Road, Whanganui
0800 122 522 | sales@smartcab.co.nz
www.smartcab.co.nz