

# SPECIFICATION SHEET

## Oven Base Cabinet

Code: MK195



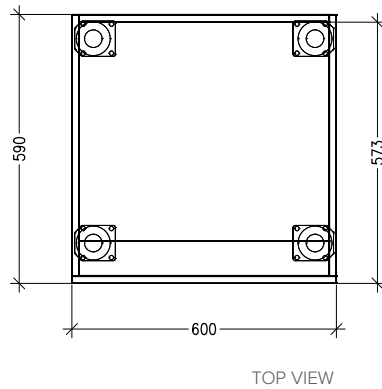
### Features

- Oven Base Cabinet
- Laminate Woodgrain & Solid Colours on MR Board
- **Default Dimensions (as pictured):**  
W600 x H880 x D590

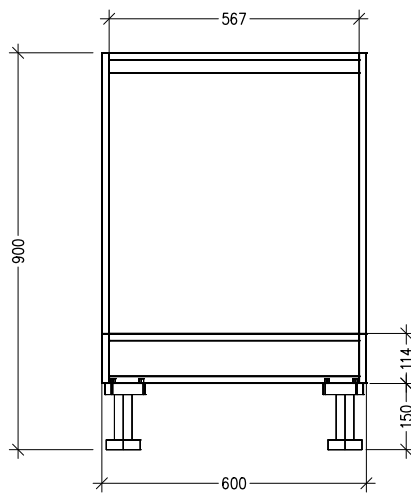
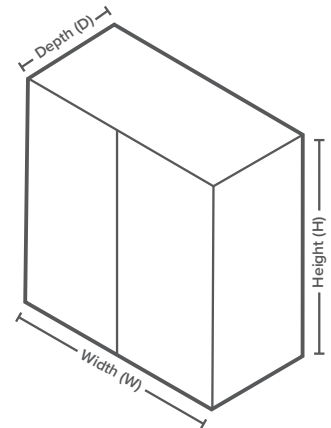
*Note: For measurements outside the default dimensions, please contact us.*

### Technical Details

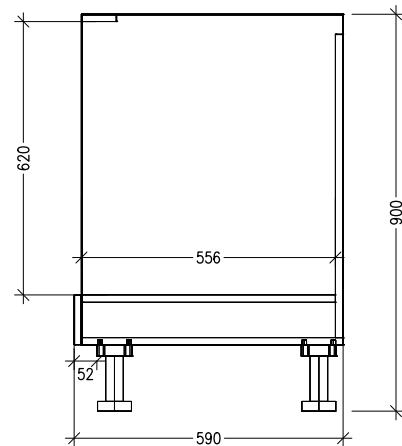
Note: All measurements shown are in millimetres. Sizes are nominal.



TOP VIEW



FRONT VIEW



SIDE VIEW



Head Office: 30 Mill Road, Whanganui  
0800 122 522 | sales@smartcab.co.nz  
[www.smartcab.co.nz](http://www.smartcab.co.nz)