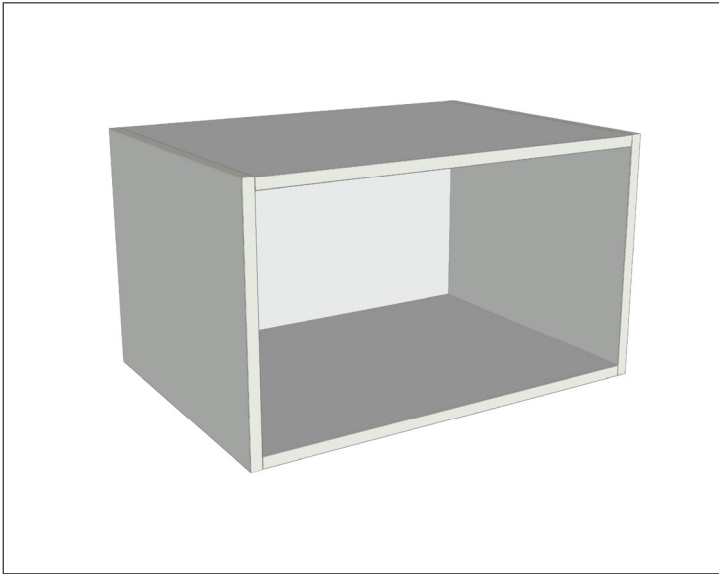


SPECIFICATION SHEET

Wall Cabinet Microwave Box Only

Code: MK164



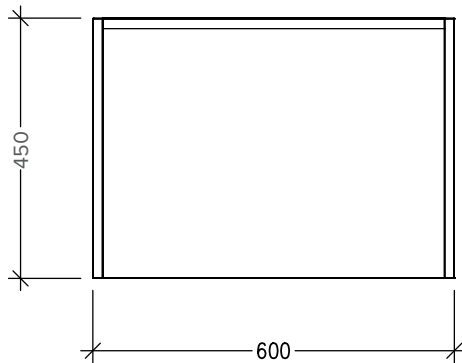
Features

- Wall Cabinet Microwave Box
- Laminate Woodgrain & Solid Colours on MR Board
- **Default Dimensions** (as pictured):
W600 x H350 x D450
- **Variable Dimensions:**
Height: 350-450mm

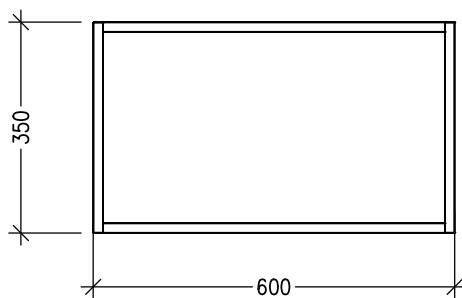
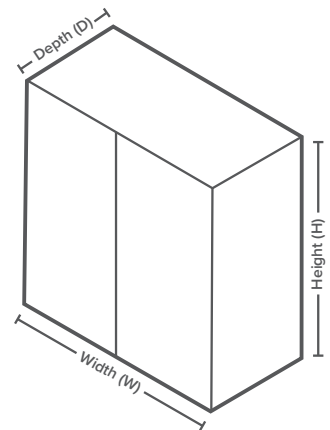
Note: For measurements outside the variable dimensions, please contact us.

Technical Details

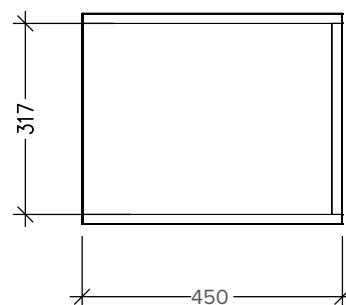
Note: All measurements shown are in millimetres. Sizes are nominal.



TOP VIEW



FRONT VIEW



SIDE VIEW



Head Office: 30 Mill Road, Whanganui
0800 122 522 | sales@smartcab.co.nz
www.smartcab.co.nz